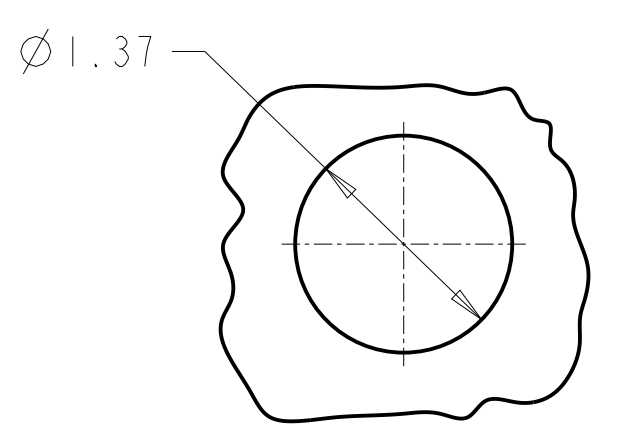
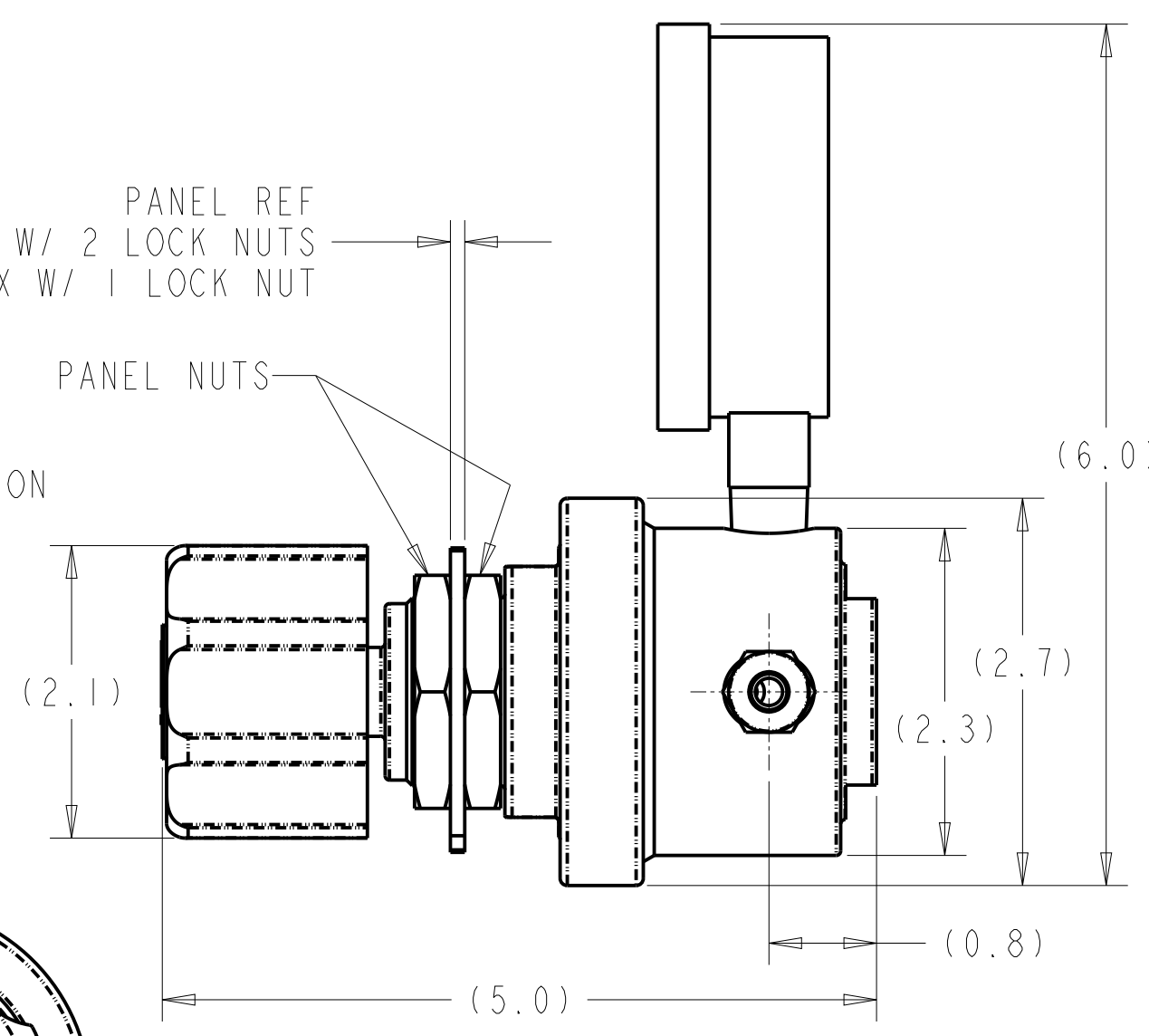
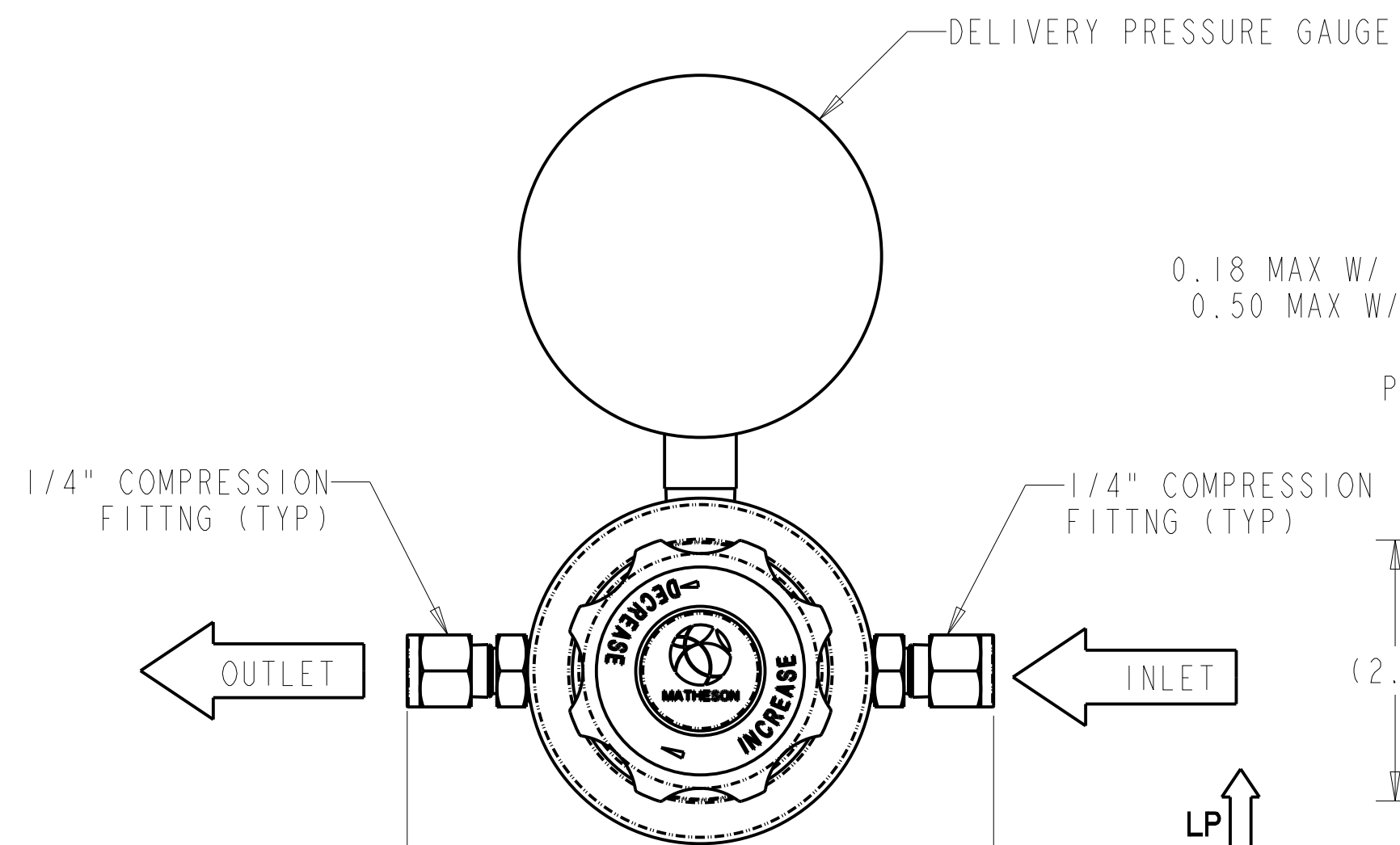
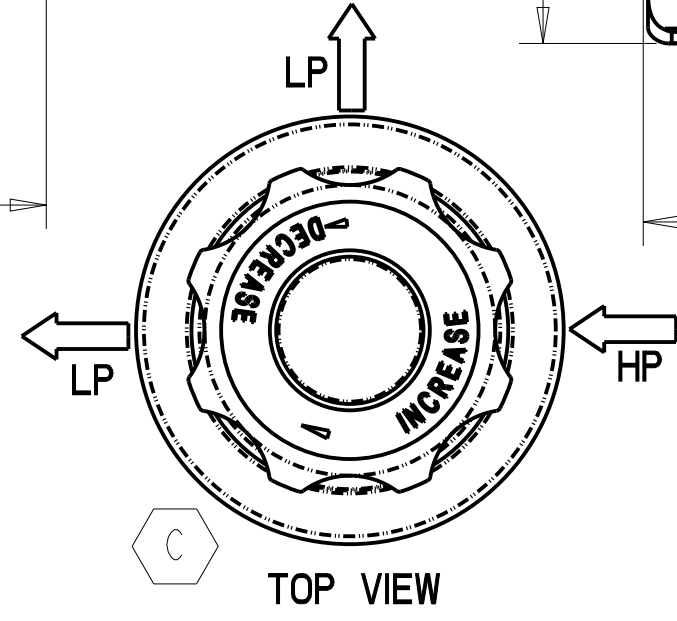
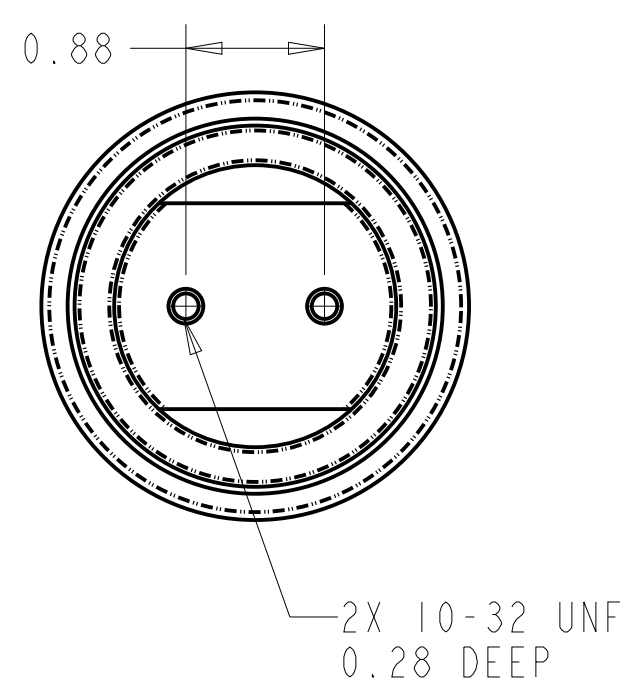


MODEL NO.	DELIVERY PRESSURE RANGE	DELIVERY PRESSURE GAUGE
3494	-28" Hg-0-15 PSI	-30" Hg-0-30 PSI

SH-ZONE	REV	DESCRIPTION	ECO NO.	BY/DATE	APVD/DATE
-	A	RELEASED FOR PRODUCTION	-	DL-3/19/21	WS-3/22/21
A1	B	REVISED CLEANING SPECIFICATION	-	DL-4/6/23	WS-4/6/23
B3	C	ADDED TOP VIEW PORT LAYOUT	-	DL-4/24/23	WS-4/24/23

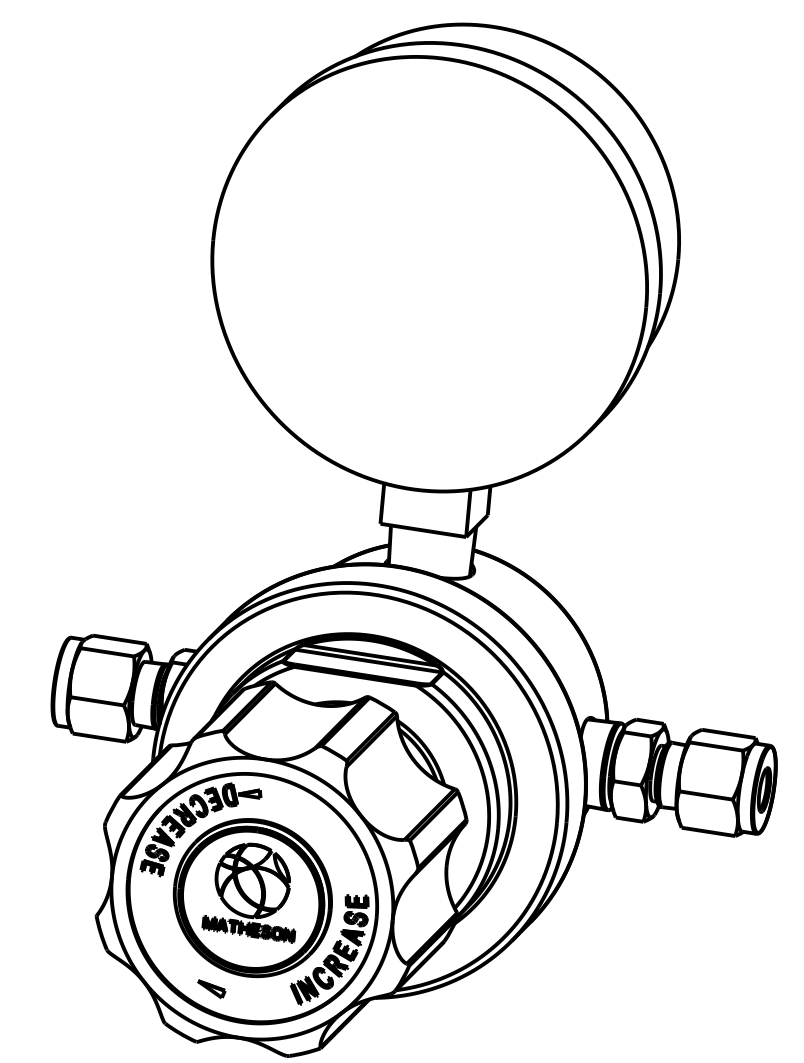


PANEL CUT-OUT



MATERIALS	
REGULATOR BODY	316 STAINLESS STEEL BARSTOCK
REGULATOR BONNET	NICKEL PLATED BRASS
REGULATOR DIAPHRAGM	316 STAINLESS STEEL
REGULATOR SEAT	PTFE
REGULATOR SEALS	METAL TO METAL
SPRING (BIAS)	316 STAINLESS STEEL
SPRING (MAIN VALVE)	ELGILOY

SPECIFICATIONS	
INLET PRESSURE RANGE	ATMOSPHERIC TO 400 PSI (2760 kPa)
REGULATOR FLOW CAPACITY (Cv)	0.24
OPERATING TEMPERATURE	-40°F TO 140°F (-40°C TO 60°C)
PORTING (REGULATOR BODY)	1/4" NPT FEMALE
PORTING CONFIGURATION	1 HIGH, 2 LOW
INLET FILTER	NONE
BONNET THREADING	1-5/16"-20
BONNET VENT HOLE	0.156" DIA
LEAK TEST	1 x 10 ⁻⁵ SCCM-HE
CLEANING	CGA G 4.1
PRESSURE RATING	PER ANSI/ASME B31.3



PROPRIETARY STATEMENT THIS DOCUMENT CONTAINS INFORMATION PROPRIETARY TO MATHESON TRI-GAS, INC. AND SHALL NOT BE REPRODUCED OR DISCLOSED TO THIRD PARTIES WITHOUT PRIOR WRITTEN CONSENT FROM MATHESON TRI-GAS.

TOLERANCES	
INCH	METRIC
X ± .1	X ± .8
.X ± .03	.X ± .3
.XX ± .01	.XX ± .13
.XXX ± .005	
63	1.6
ANGLES ± 1/2°	

MATERIAL:

FINISH:

THIRD ANGLE PROJECTION

DO NOT SCALE DRAWING

APPROVALS	
DRAWN BY:	DATE:
DL	3/19/21
CHECKED BY:	DATE:
WS	3/22/21
ENGINEER:	DATE:
WS	3/22/21

MATHESON
ask...The Gas Professionals™

GAS EQUIPMENT TECHNOLOGY GROUP, MONTGOMERYVILLE, PA 18936

TITLE:
**OUTLINE DRAWING
3494 SERIES HIGH PURITY
LINE REGULATOR, SS**

SIZE: **C**

DWG. NO. **3494-OL**

REV: **C**

CREO SCALE: NTS SHEET 1 OF 1

D
C
B
A

D
C
B
A