

4

3

2

1

| MODEL NO. | MAX DELIVERY PRESSURE | DELIVERY PRESSURE GAUGE |
|-----------|-----------------------|-------------------------|
| 3430A | 15 PSI | 30" VAC-0-30 PSI |
| 3431A | 50 PSI | 30" VAC-0-100 PSI |
| 3432A | 125 PSI | 30" VAC-0-200 PSI |
| 3433A | 250 PSI | 0-400 PSI |

| REF ONLY FOR PDM USE ONLY | DWG NO. | MODEL NO. |
|---------------------------|-----------|-------------|
| | 3430A-OL- | M3510A-580- |

| REVISIONS | | | | | |
|-----------|-----|-------------------------|---------|-----------|------------|
| SH-ZONE | REV | DESCRIPTION | ECO NO. | BY/DATE | APVD/DATE |
| - | A | RELEASED FOR PRODUCTION | - | DL-1/8/21 | WS-1/12/21 |

D

C

B

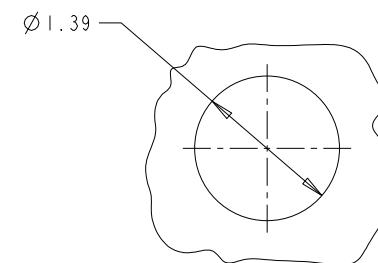
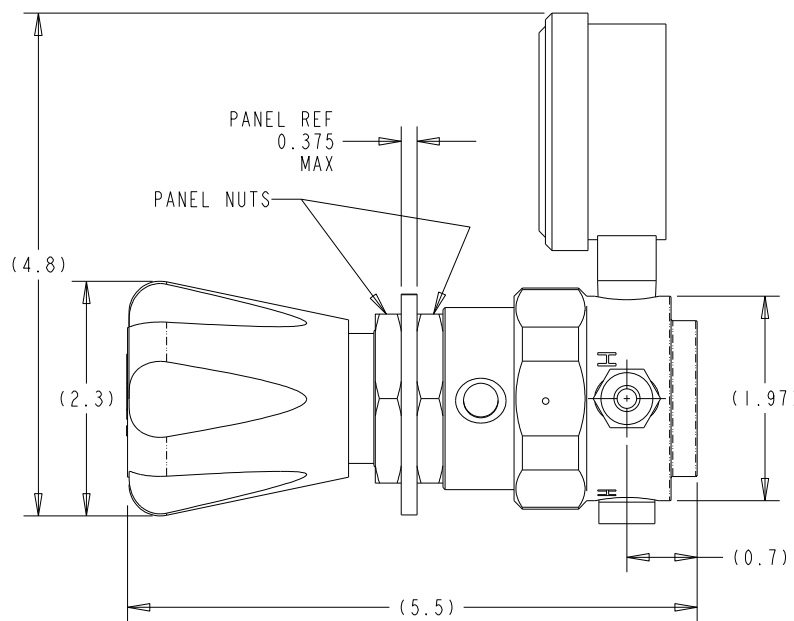
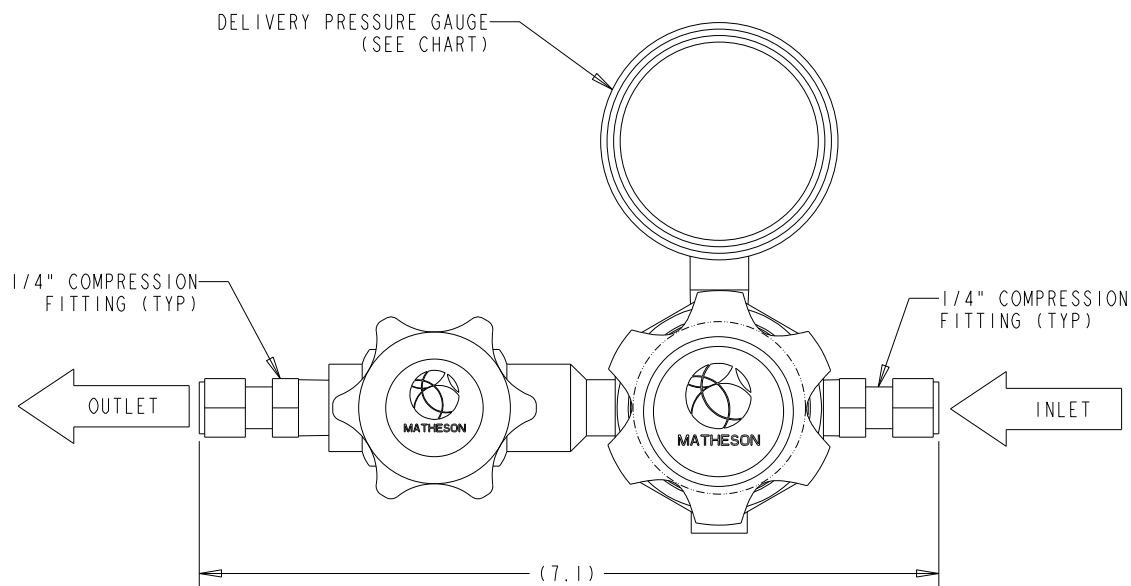
A

D

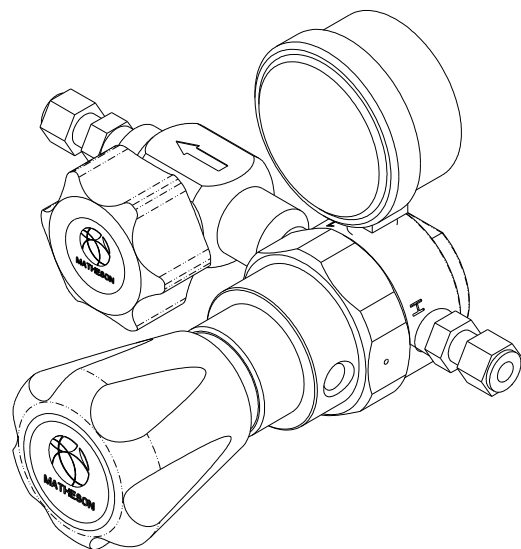
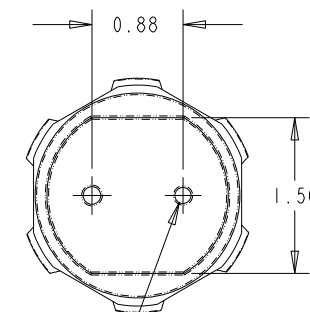
C

B

A



PANEL CUT-OUT



| MATERIALS | |
|---------------------|-------------------------------|
| REGULATOR BODY | 316L STAINLESS STEEL BARSTOCK |
| REGULATOR BONNET | CHROME PLATED BRASS BARSTOCK |
| REGULATOR DIAPHRAGM | 316L STAINLESS STEEL |
| REGULATOR SEAT | TEFLON |
| REGULATOR SEALS | METAL TO METAL |
| INLET FILTER | 316L STAINLESS STEEL |
| VALVE BODY | 316L STAINLESS STEEL |
| VALVE DIAPHRAGM | 316L STAINLESS STEEL |
| VALVE SEAT | PCTFE |

| SPECIFICATIONS | |
|--|------------------------------------|
| MAXIMUM INLET PRESSURE | 3000 PSI (20,700 kPa) |
| REGULATOR FLOW CAPACITY (Cv) | 0.08 |
| OPERATING TEMPERATURE | -40°F TO 140°F (-40°C TO 60°C) |
| PORTING (REGULATOR BODY) | 1/4" NPT FEMALE |
| PORTING CONFIGURATION | 2 HIGH, 2 LOW |
| INLET FILTER | 10 MICRON - SINTERED |
| BONNET THREADING | 1-3/8"-12 |
| BONNET VENT HOLE | 1/8" NPT |
| VALVE FLOW CAPACITY (Cv) | 0.13 |
| LEAK TEST | 1 x 10 ⁻⁵ SCCM-HE |
| CLEANING | CGA G 4.1 & ASTM G93 (INTER LEVEL) |
| PRESSURE RATING | PER ANSI/ASME B31.3 |
| TYP MAX FLOW (100 PSI DEL. PRESS.) | 8 SCFM-N2 (230 SLPM) |
| CONFORMS TO CGA E-4 STANDARD FOR GAS PRESSURE REGULATORS | |

PROPRIETARY STATEMENT THIS DOCUMENT CONTAINS INFORMATION PROPRIETARY TO MATHESON TRI-GAS, INC. AND SHALL NOT BE REPRODUCED OR DISCLOSED TO THIRD PARTIES WITHOUT PRIOR WRITTEN CONSENT FROM MATHESON TRI-GAS.

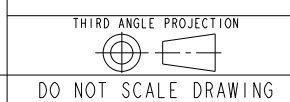
TOLERANCES

| INCH | METRIC |
|-------------|-----------|
| X ± .1 | X ± .8 |
| .X ± .03 | .X ± .3 |
| .XX ± .01 | .XX ± .13 |
| .XXX ± .005 | |

63/ 1.6/ ANGLS ± 1/2°

MATERIAL:

FINISH:



APPROVALS

| | |
|-------------|---------|
| DRAWN BY: | DATE: |
| DL | 1/8/21 |
| CHECKED BY: | DATE: |
| WS | 1/12/21 |
| ENGINEER: | DATE: |
| WS | 1/12/21 |



GAS EQUIPMENT TECHNOLOGY GROUP, MONTGOMERYVILLE, PA 18936

TITLE:
**OUTLINE DRAWING
 MODEL 3430A SERIES,
 LINE REGULATOR, STAINLESS STEEL**

| SIZE | DWG. NO. | REV |
|----------|-----------------|----------|
| C | 3430A-OL | A |

CREO SCALE: NTS SHEET 1 OF 1

5

3

2

1