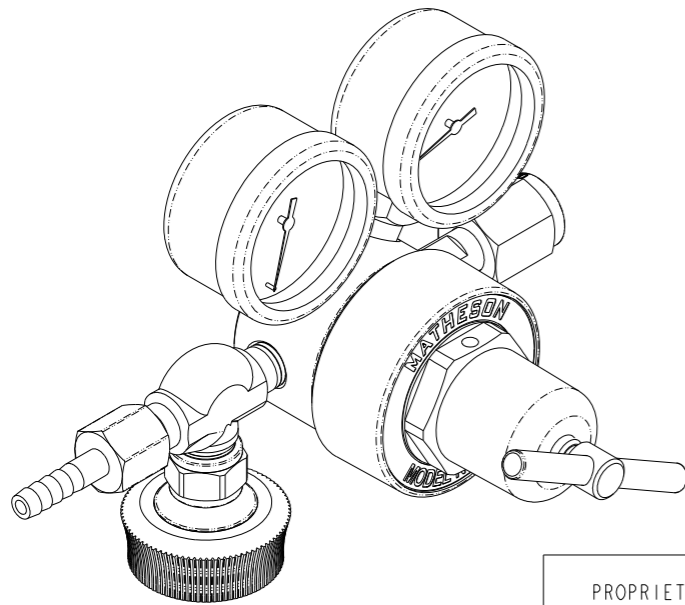
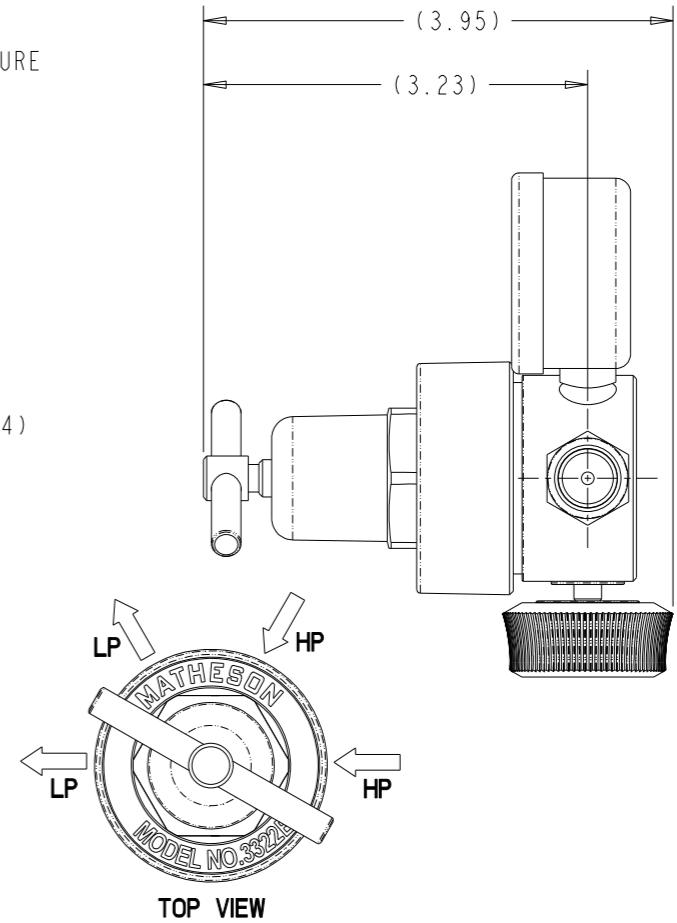
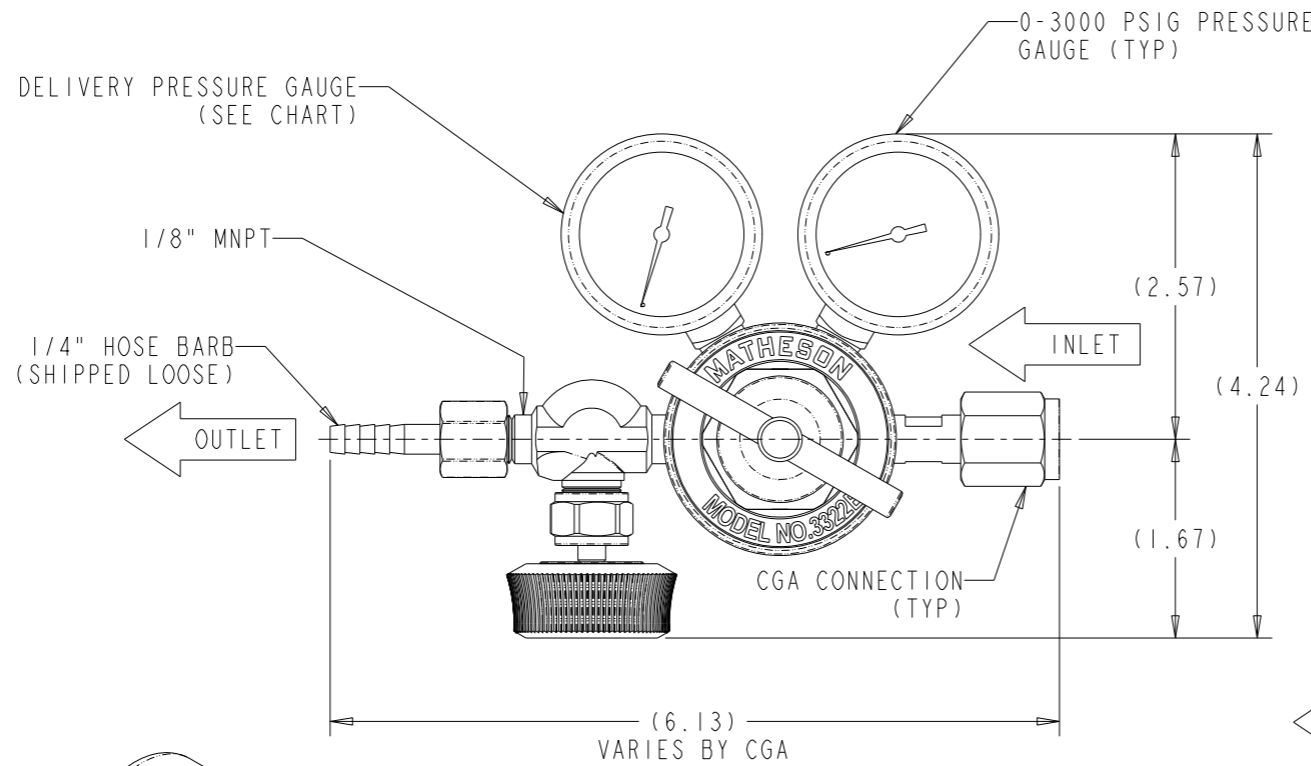


MODEL NO.	MAX DELIVERY PRESSURE	DELIVERY PRESSURE GAUGE
3322B	15 PSI	0-30 PSI
3320B	60 PSI	0-100 PSI

REF ONLY FOR PDM USE ONLY DWG NO. 3320B-OL MODEL NO. M3322B-170-

REVISIONS					
SH-ZONE	REV	DESCRIPTION	ECO NO.	BY/DATE	APVD/DATE
-	A	RELEASED FOR PRODUCTION	-	DL-1/14/21	WS-1/21/21
BI	B	REVISED CLEANING SPECIFICATION	-	DL-4/5/23	WS-4/5/23
BI	C	ADDED TOP VIEW PORT LAYOUT	-	DL-4/24/23	WS-4/24/23
AI	D	REVISED FLOW RATE	-	DL-4/17/24	WS-4/18/24



MATERIALS	
REGULATOR BODY	BRASS BARSTOCK
REGULATOR BONNET	CHROME PLATED ZINC DIECAST
REGULATOR DIAPHRAGM	NEOPRENE
REGULATOR SEAT	PTFE
REGULATOR SEALS	NEOPRENE
INLET FILTER	NICKEL PLATED BRONZE
GAUGES	CHROME PLATED BRASS
OUTLET VALVE BODY	CHROME PLATED FORGED BRASS
OUTLET VALVE PACKING	PTFE
OUTLET VALVE STEM	STAINLESS STEEL
OUTLET VALVE SEAT	BRASS

SPECIFICATIONS	
MAXIMUM INLET PRESSURE	3000 PSI (20,700 kPa)
FLOW CAPACITY-REGULATOR (Cv)	0.08 WITHOUT OUTLET VALVE
FLOW CAPACITY-VALVE (Cv)	0.15
OPERATING TEMPERATURE	-20°F TO 140°F (-29°C TO 60°C)
PORTING (REGULATOR BODY)	1/8" NPT FEMALE
PORTING CONFIGURATION	2 HIGH, 2 LOW
INLET FILTER	10 MICRON - SINTERED
BONNET THREADING	N/A
CLEANING	CGA G 4.1
PRESSURE RATING	PER ANSI/ASME B31.3
TYP MAX FLOW (50 PSI DEL. PRESS.)	8 SCFM-N2 (230 SLPM)
CONFORMS TO CGA E-4 STANDARD FOR GAS PRESSURE REGULATORS	

PROPRIETARY STATEMENT THIS DOCUMENT CONTAINS INFORMATION PROPRIETARY TO MATHESON TRI-GAS, INC. AND SHALL NOT BE REPRODUCED OR DISCLOSED TO THIRD PARTIES WITHOUT PRIOR WRITTEN CONSENT FROM MATHESON TRI-GAS.

TOLERANCES

INCH	METRIC
X ± .1	X ± .8
.X ± .03	.X ± .3
.XX ± .01	.XX ± .13
.XXX ± .005	

63 ✓ 1.6 ✓

ANGLES ± 1/2°

MATERIAL:

FINISH:

THIRD ANGLE PROJECTION

DO NOT SCALE DRAWING

APPROVALS

DRAWN BY:	DATE:
DL	1/14/21
CHECKED BY:	DATE:
WS	1/21/21
ENGINEER:	DATE:
WS	1/21/21

MATHESON
ask...The Gas Professionals™

GAS EQUIPMENT TECHNOLOGY GROUP, MONTGOMERYVILLE, PA 18936

TITLE: **OUTLINE DRAWING**
3320B SERIES, LECTURE BOTTLE REGULATOR

SIZE: **C** DWG. NO. **3320B-OL** REV **C**

CREO SCALE: NTS SHEET 1 OF 1