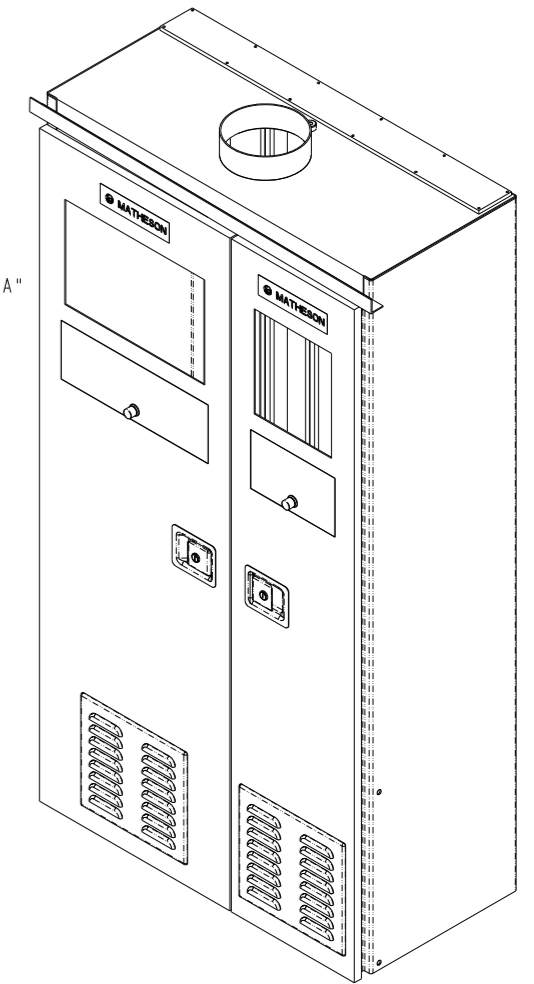
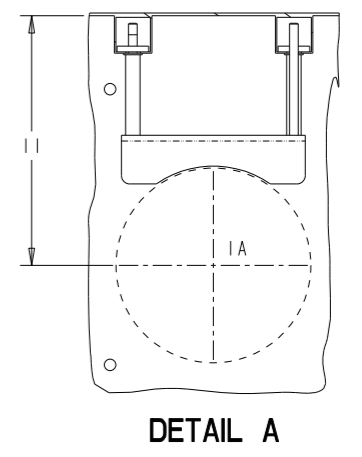
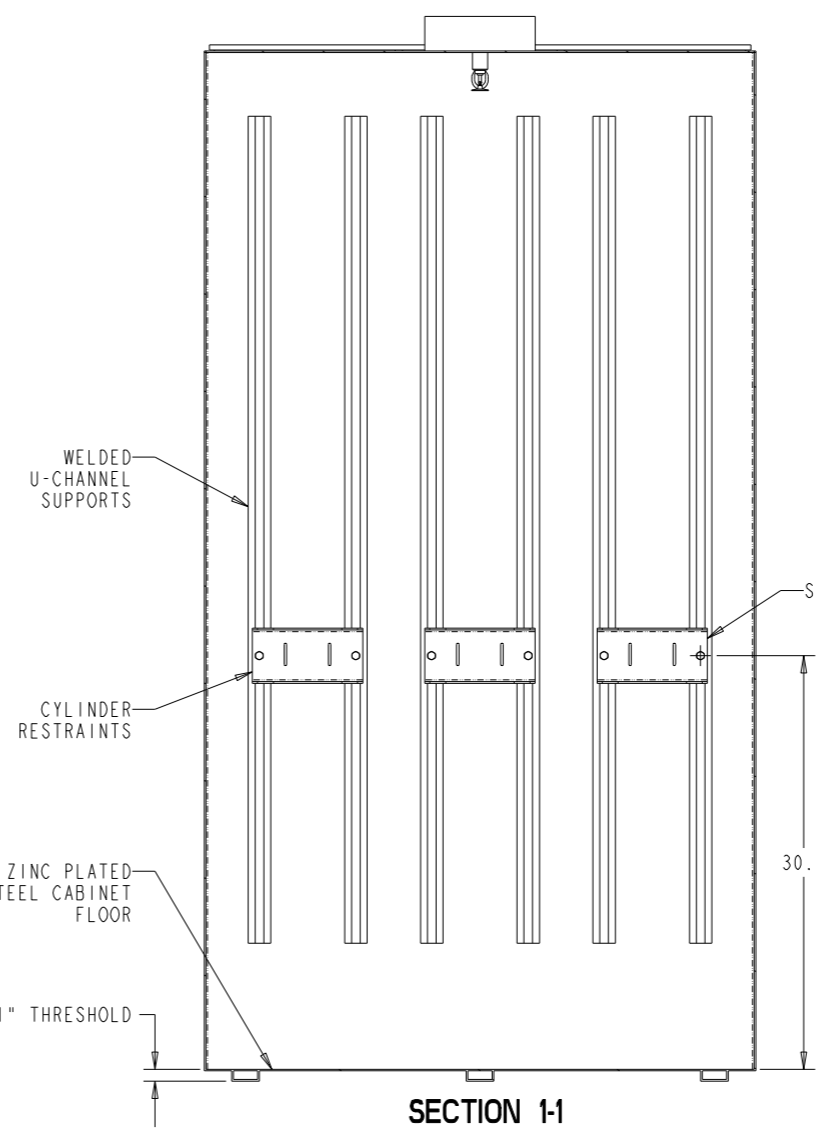
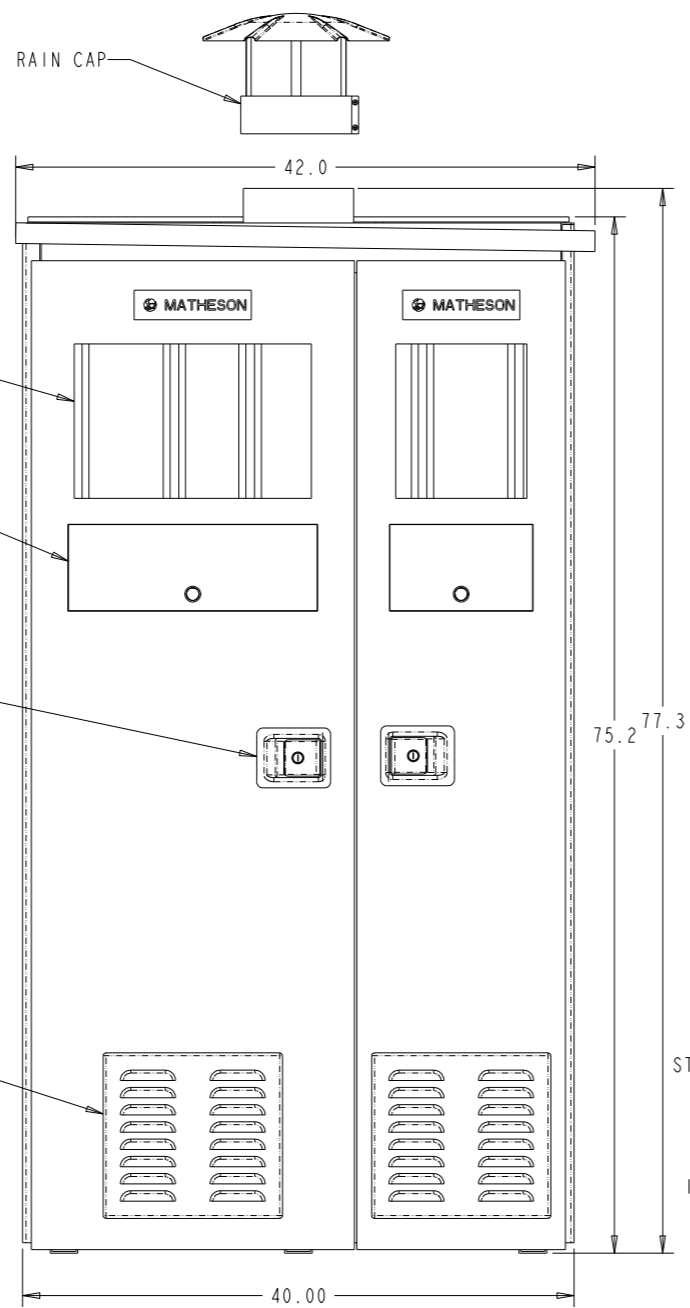
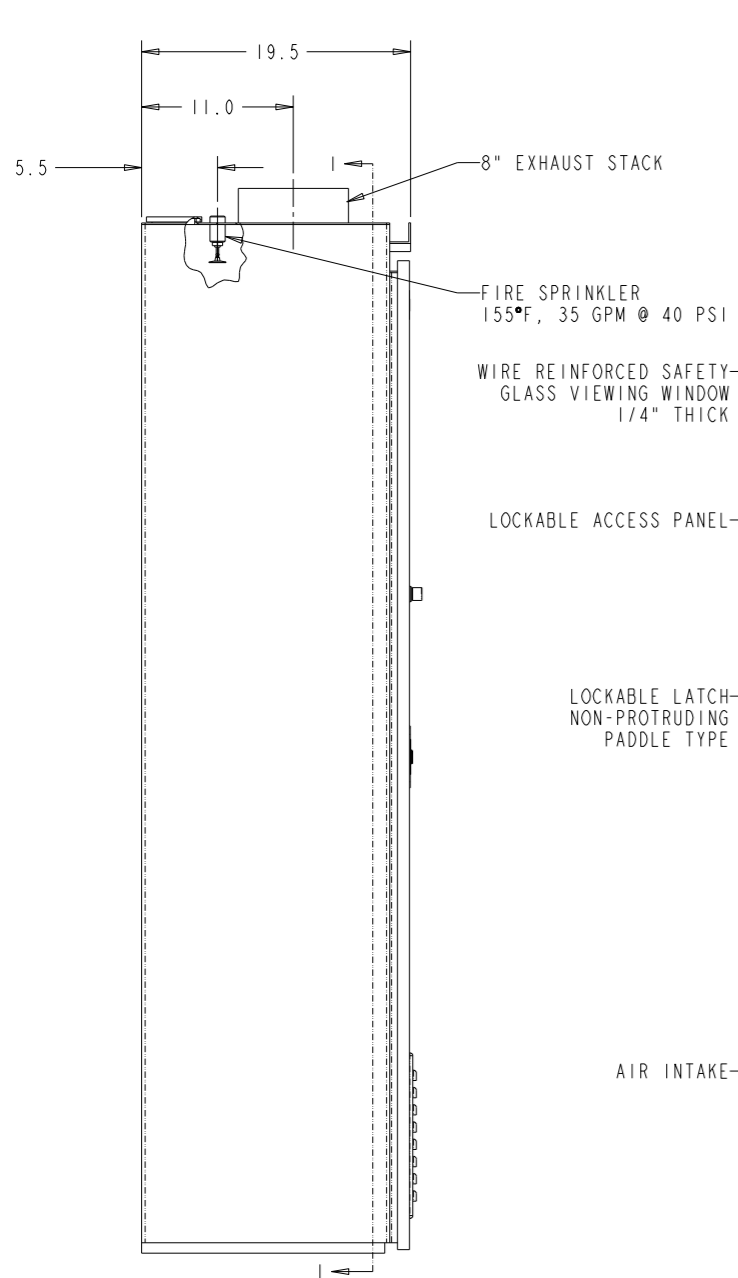


REF ONLY FOR PDM USE ONLY		DWG NO. MCAB-0490-OL	MODEL NO. MCAB-0490-UN	1		
REVISIONS						
SH-ZONE	REV	DESCRIPTION	ECO NO.	BY/DATE	APVD/DATE	
-	A	RELEASED FOR PRODUCTION	-	DL-2/19/25	WS-2/21/25	



NOTES:

MEETS OR EXCEEDS CHAPTER 50 AND CHAPTER 60 IFC REQUIREMENTS

CABINET: 12 GAUGE COLD ROLLED STEEL
 GASKETS: NEOPRENE WITH OIL RESISTANT ADHESIVE
 WINDOWS: 1/4" THICK WIRE REINFORCED SAFETY GLASS
 PAINT: 2-PART POLYURETHANE; INTERIOR AND EXTERIOR-LIGHT GREY
 CABINET FLOOR: ZINC-PLATED STEEL
 MOUNTING HOLES: 4 X 1/2" HOLES IN BOTTOM OF CABINET
 DOORS: ONE DOOR WITH LEFT HAND HINGE, ONE DOOR WITH RIGHT HAND HINGE AND AUTOMATIC CLOSURES
 INTEGRAL SPRINKLER: FUSE RATING OF 155°F AND FLOW CAPACITY OF 35 GPM @ 40 PSI
 WATERPIPE CONNECTION: 1/2" NPT FEMALE
 EXHAUST REQUIRED: 450 SCFM
 RAIN GUTTER ABOVE CABINET DOOR PREVENTS RAIN FROM ENTERING CABINET
 STAINLESS STEEL HINGES AND HARDWARE
 RAIN HAT TO COVER STACK
 SPECIAL ZINC CHROMATE PRIMER TO PREVENT RUST AND CORROSION

PROPRIETARY STATEMENT THIS DOCUMENT CONTAINS INFORMATION PROPRIETARY TO MATHESON TRI-GAS, INC. AND SHALL NOT BE REPRODUCED OR DISCLOSED TO THIRD PARTIES WITHOUT PRIOR WRITTEN CONSENT FROM MATHESON TRI-GAS.	TOLERANCES		MATERIAL: FINISH: THIRD ANGLE PROJECTION 	APPROVALS		MATHESON <small>ask...The Gas Professionals™</small> GAS EQUIPMENT TECHNOLOGY GROUP, MONTGOMERVILLE, PA 18936 TITLE: OUTLINE DRAWING 1179-HH, HARD HAT CABINET, 3 CYL, SS HARDWARE, OUTDOOR USE	
	INCH	METRIC		DRAWN BY:	DATE:		SIZE
	X ± .1 .X ± .03 .XX ± .01 .XXX ± .005	X ± .8 .X ± .3 .XX ± .13		DL	2/19/25		D
63 / 1.6 ANGLES ± 1/2°		DO NOT SCALE DRAWING	CHECKED BY:	DATE:	REV		
			WS	2/21/25	A		
			ENGINEER:	DATE:			
			WS	2/21/25			
			CREO	SCALE: NTS	SHEET 1 OF 1		