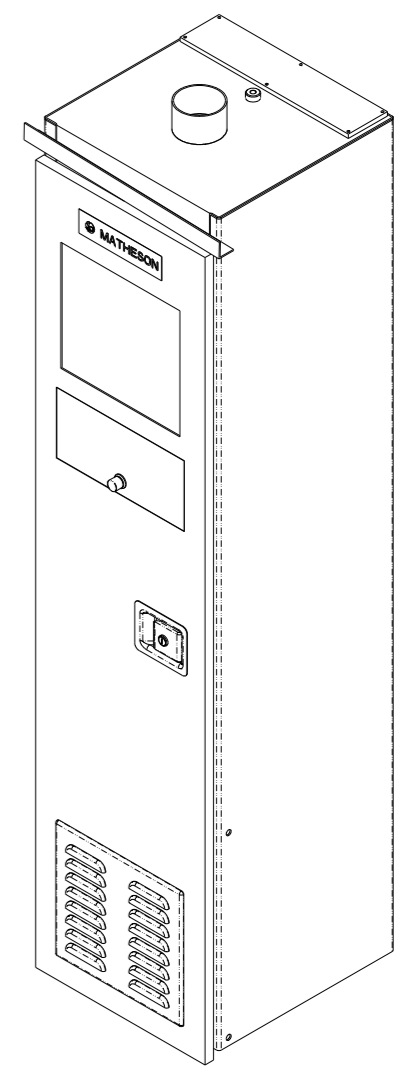
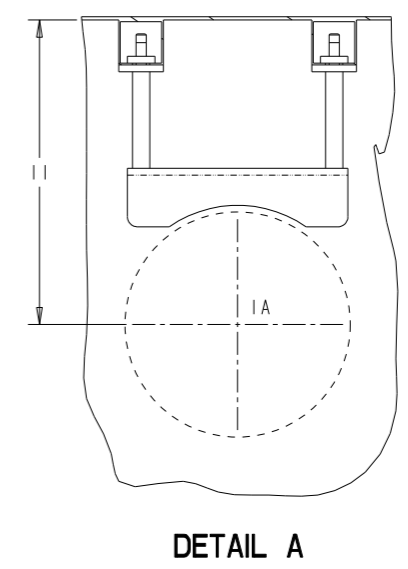
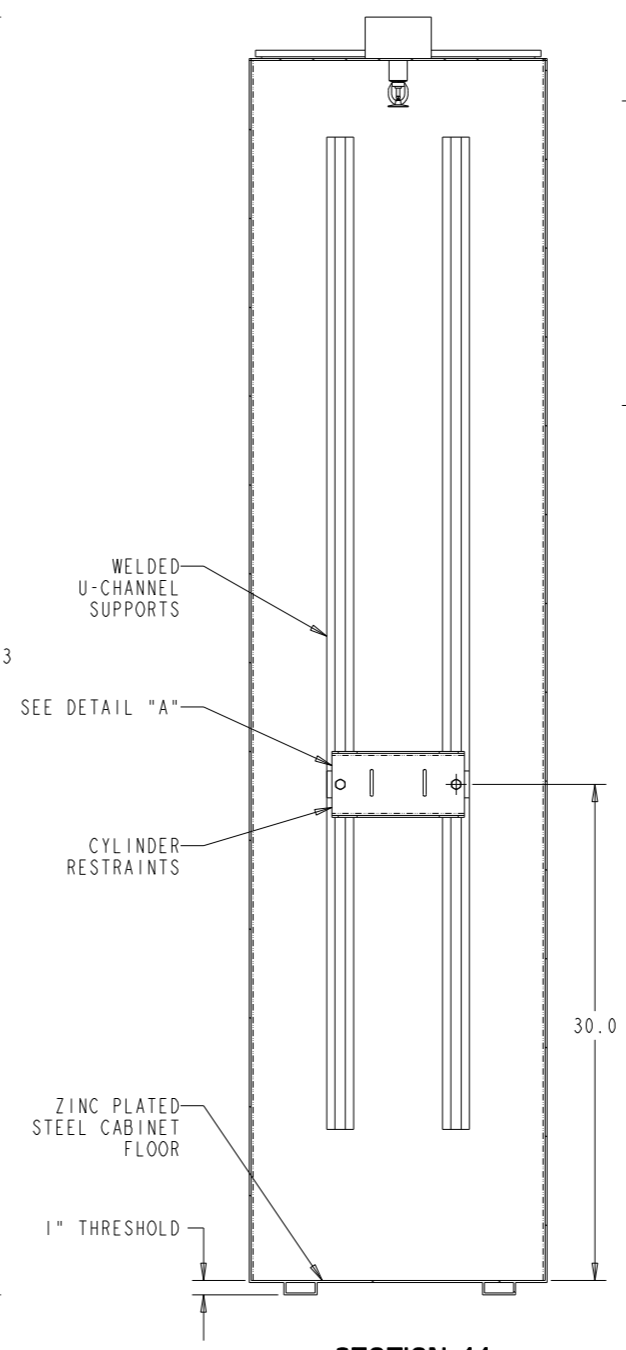
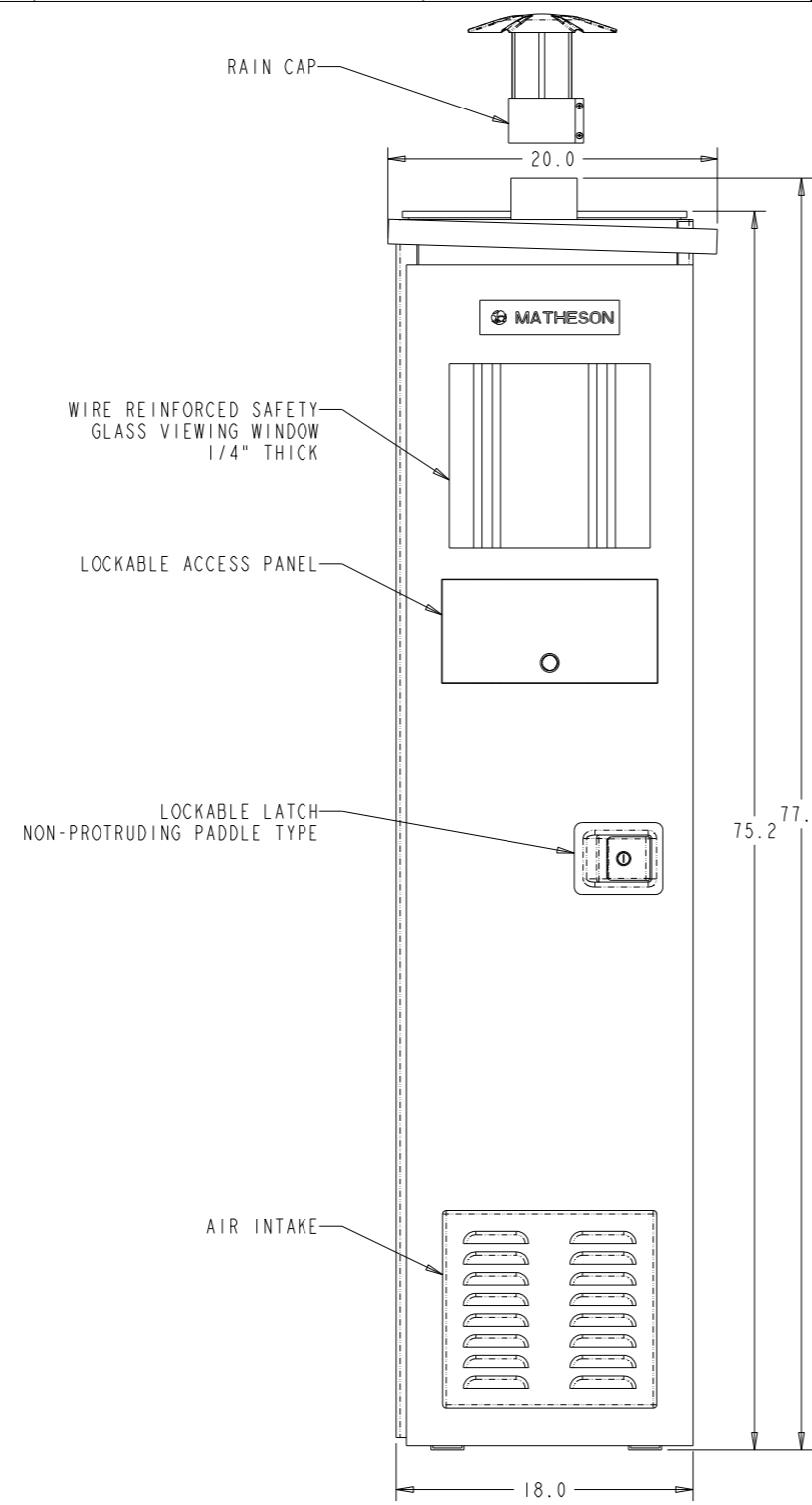
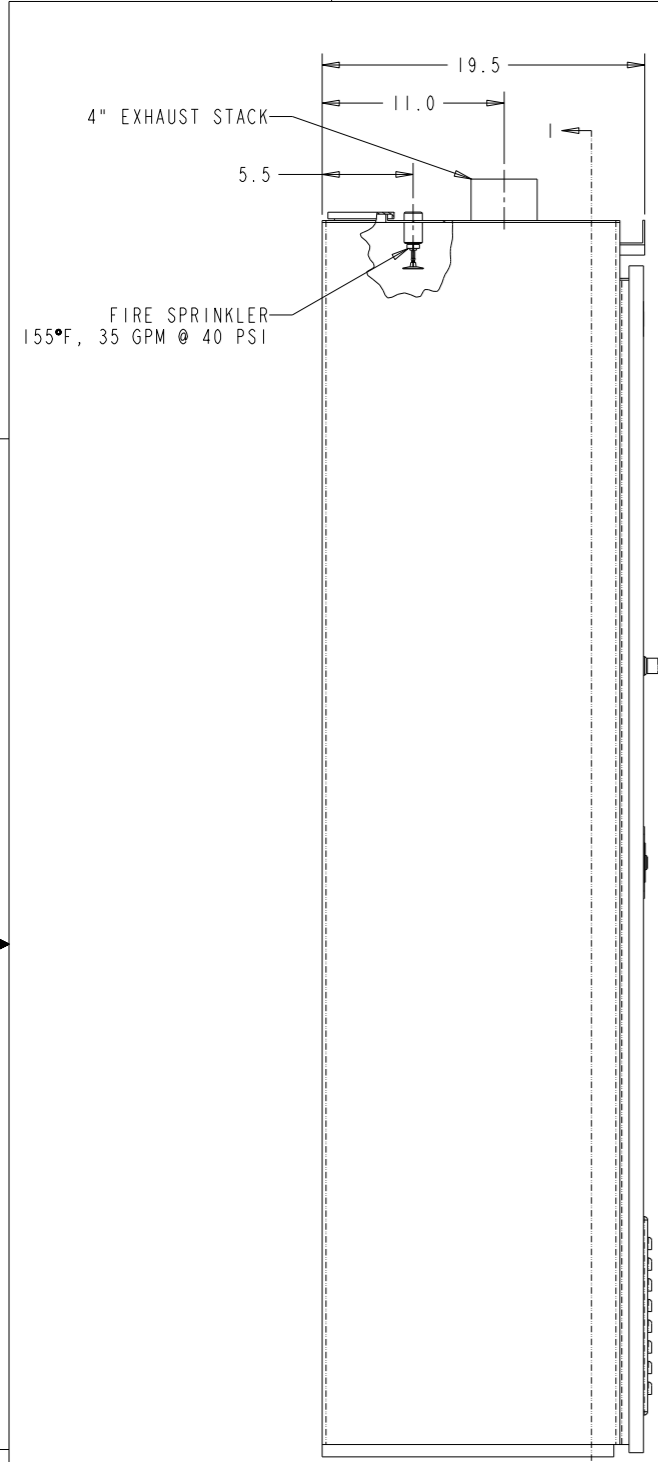


REF ONLY FOR PDM USE ONLY	DWG NO. MCAB-0488-OL	MODEL NO. MCAB-0488-UN	1		
REVISIONS			ECO NO.	BY/DATE	APVD/DATE
SH-ZONE	REV	DESCRIPTION	-	DL-2/18/25	WS-2/21/25
-	A	RELEASED FOR PRODUCTION	-		



NOTES:

MEETS OR EXCEEDS CHAPTER 50 AND CHAPTER 60 IFC REQUIREMENTS

CABINET: 12 GAUGE COLD ROLLED STEEL
 GASKETS: NEOPRENE WITH OIL RESISTANT ADHESIVE
 WINDOW: 1/4" THICK WIRE REINFORCED SAFETY GLASS
 PAINT: 2-PART POLYURETHANE; INTERIOR AND EXTERIOR-LIGHT GREY
 CABINET FLOOR: ZINC-PLATED STEEL
 MOUNTING HOLES: 4 X 1/2" HOLES IN BOTTOM OF CABINET
 DOOR: ONE DOOR WITH LEFT HAND HINGE AND AUTOMATIC CLOSURE
 INTEGRAL SPRINKLER: FUSE RATING OF 155°F AND FLOW CAPACITY OF 35 GPM @ 40 PSI
 WATERPIPE CONNECTION: 1/2" NPT FEMALE
 EXHAUST REQUIRED: 175 SCFM
 RAIN GUTTER ABOVE CABINET DOOR PREVENTS RAIN FROM ENTERING CABINET
 STAINLESS STEEL HINGES AND HARDWARE
 RAIN HAT TO COVER STACK
 SPECIAL ZINC CHROMATE PRIMER TO PREVENT RUST AND CORROSION

PROPRIETARY STATEMENT THIS DOCUMENT CONTAINS INFORMATION PROPRIETARY TO MATHESON TRI-GAS, INC. AND SHALL NOT BE REPRODUCED OR DISCLOSED TO THIRD PARTIES WITHOUT PRIOR WRITTEN CONSENT FROM MATHESON TRI-GAS.	TOLERANCES		MATERIAL:	APPROVALS		 GAS EQUIPMENT TECHNOLOGY GROUP, MONTGOMERVILLE, PA 18936 TITLE: OUTLINE DRAWING 1177-HH HARD HAT CABINET, 1 CYL, SS HARDWARE, OUTDOOR USE
	INCH	METRIC		FINISH:	DRAWN BY:	
	X ± .1 .X ± .03 .XX ± .01 .XXX ± .005	X ± .8 .X ± .3 .XX ± .13		DL	2/18/25	
	63 ✓	1.6 ✓	THIRD ANGLE PROJECTION	CHECKED BY:	DATE:	
ANGLES ± 1/2°		DO NOT SCALE DRAWING	WS	2/21/25	ENGINEER:	
			WS	2/21/25	WS	SIZE: D CREO SCALE: NTS SHEET 1 OF 1